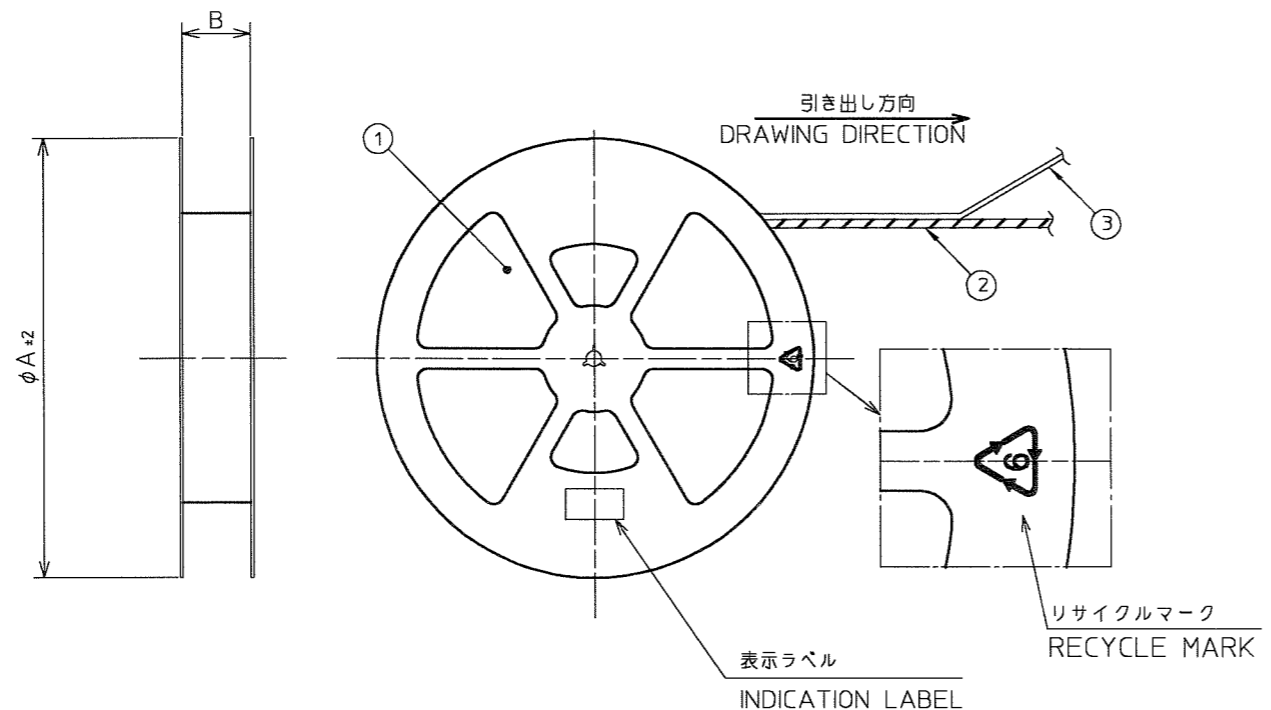
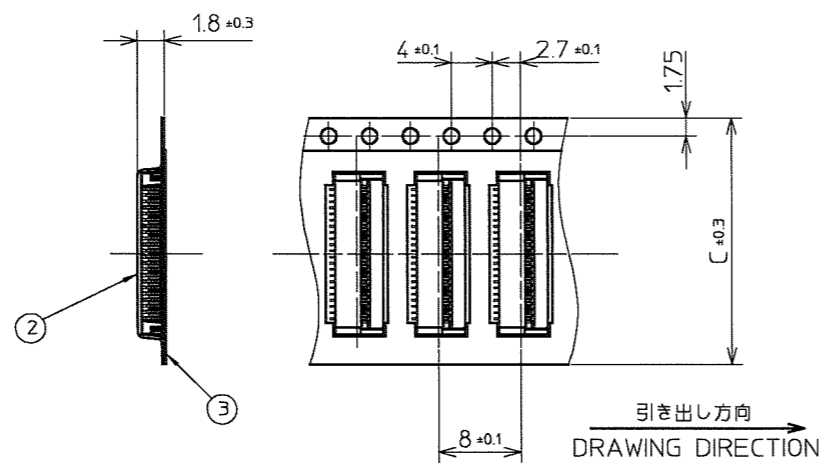


PRODUCT NO.
10017251-__2240ELF

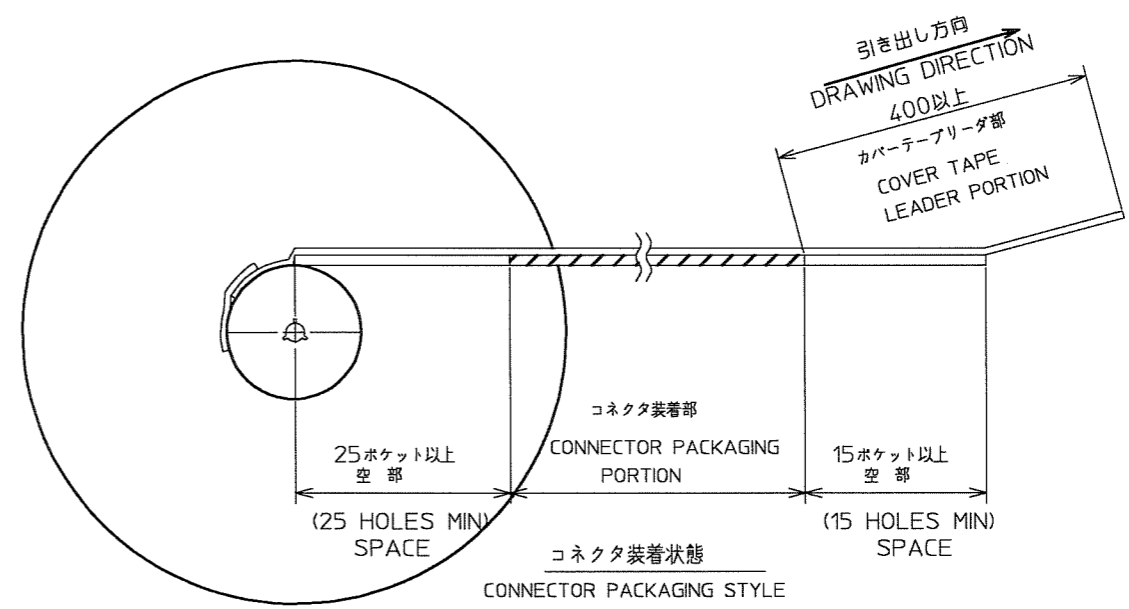


| エンボステープ梱包型番 EMBOSS TAPE | 寸法 DIMENSIONS | | |
|------------------------------|---------------|--------------|----|
| | ϕA | B | C |
| 10017251-152240ELF~452240ELF | $\phi 330$ | 25.5 ± 1 | 24 |
| 10017251-112240ELF | $\phi 330$ | 17.5 ± 1 | 16 |

| PT.NO. | PARTS NAME | PRODUCT NO. | MATERIAL | Q'TY |
|--------|-------------|------------------|-----------------|-------|
| 1 | REEL | _____ | POLYSTYRENE | 1 |
| 2 | EMBOSS TAPE | _____ | PET | 1 |
| 3 | COVER TAPE | _____ | POLYESTER | _____ |
| 4 | CONNECTOR | 10017251-__224LF | 10017251 SHEET2 | 4500 |



10017251-1121_0E ~ 4521_0E



注記
1.本製品は、自動実装(SMT)対応、FPC用コネクタのプラスチックテープ梱包品である。
2.プラスチック(エンボス)テープ及びリールの形状寸法は、JIS C 0806 (電子部品のテーピング(表面実装部品))に準ずる。

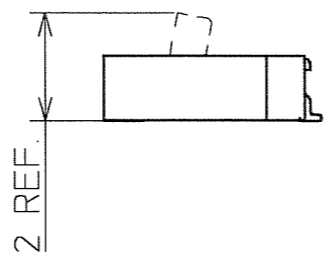
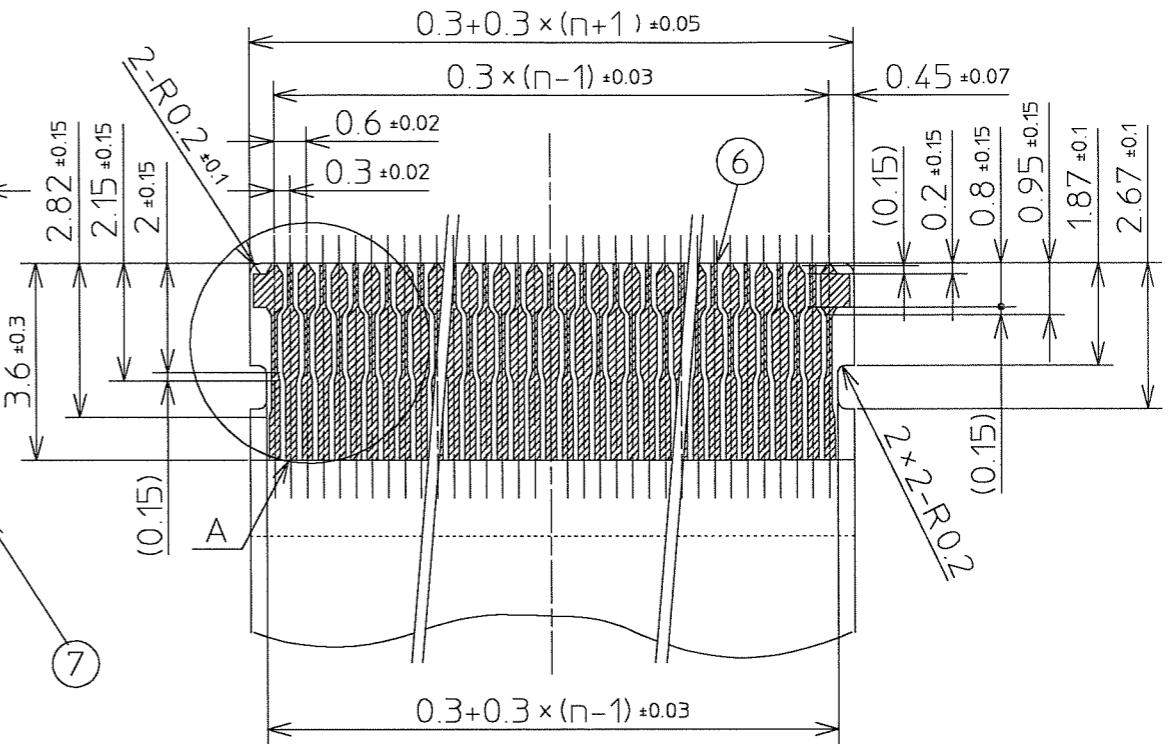
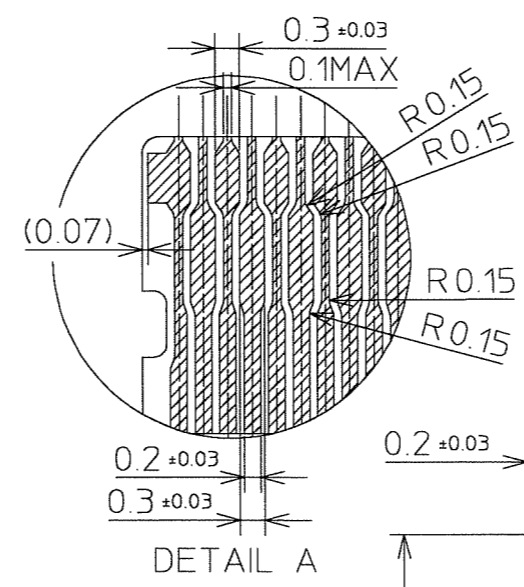
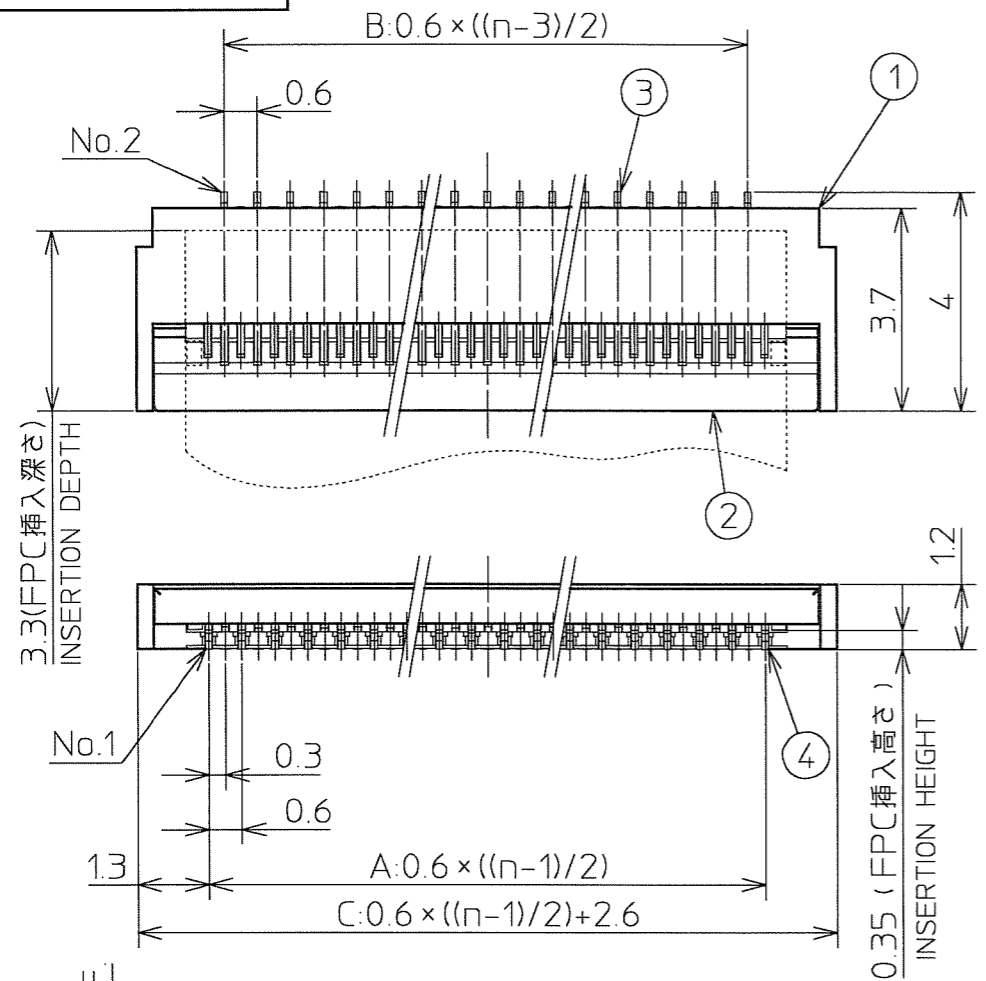
NOTES
1.THIS IS PLASTIC TAPE PACKAGED CONNECTOR USED FOR FPC AND COPE WITH AUTOMATIC MOUNTING (SMT)
2.SEE JIS 0806 (PACKING OF ELECTRONIC COMPONENTS ON CONTINUOUS TAPES (SURFACE MOUNTING DEVICES))

| | | | | | | | | | | | | | |
|-------------|----------------|----------|-----|-----------|---------------------------------------|------------------|--|------------|--------------------------------------|----------------|--|-------------------------------|--|
| mat'l. code | | | | surface | | tolerance | | projection | | product family | | CODE | |
| | | | | ISO 1302 | | ISO 406 ISO 1101 | | ISO 1101 | | 58FF FLEX 0.3 | | JP | |
| ltr | description | ecr no | dr | date | tolerances unless otherwise specified | | | | title | | | | |
| K | REVISED | J05-0783 | M.Y | 16/Nov/05 | angles | linear | | | エンボステープ梱包品 EMBOSS TAPE PACKAGE | | | | |
| L | REVISED | J06-0345 | M.Y | 23/Oct/06 | | | | | scale | | | | |
| M | REVISED | J06-0509 | M.Y | 1/Dec/06 | | | | | dwg no 10017251 sheet 1 of 2 size A2 | | | | |
| | | | | dr | M.Yamashita | 1/Dec/06 | | FCJ | | | | type Product Customer Drawing | |
| | | | | engr | M.Yamashita | 1/Dec/06 | | | | | | Rev. M | |
| | | | | chr | S. Yamashita | 12/1/06 | | | | | | | |
| | | | | appd | S. Yamashita | 12/1/06 | | | | | | | |
| sheet index | revision sheet | M | H | | | | | | | | | Rev. | |
| | 1 | 2 | | | | | | | | | | M | |

PRODUCT NO.
10017251-__224LF

FPC

| PARTS NAME | MATERIAL |
|-------------|-------------|
| 5 BASE FILM | POLYAMIDE |
| 6 CONDUCTOR | COPPER FOIL |
| 7 OVERLAY | POLYAMIDE |
| 8 STIFFENER | POLYAMIDE |



CONNECTOR

| PARTS NAME | MATERIAL | QTY | DESCRIPTION |
|-------------|---------------|-----------|-------------|
| 1 HOUSING | THERMOPLASTIC | 1 | COLOR:WHITE |
| 2 ACTUATOR | THERMOPLASTIC | 1 | COLOR:BLACK |
| 3 CONTACT A | COPPER ALLOY | $(n-1)/2$ | |
| 4 CONTACT B | COPPER ALLOY | $(n+1)/2$ | |

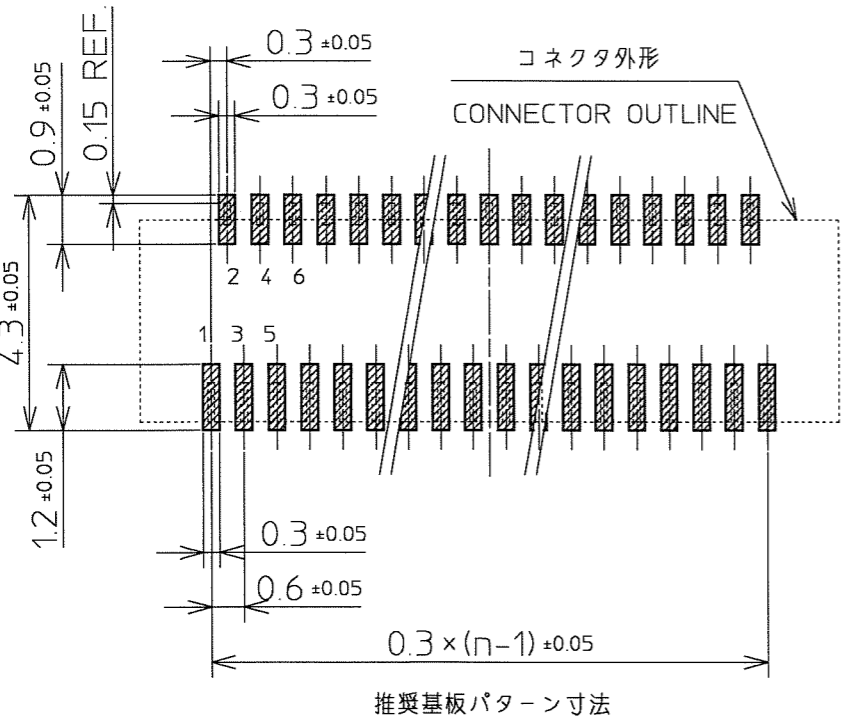
n: NO. OF CONTACT

| PRODUCT No. | NO. OF CONTACT | A | B | C |
|------------------|----------------|------|------|------|
| 10017251-11224LF | 11 | 3.0 | 2.4 | 5.6 |
| 10017251-15224LF | 15 | 4.2 | 3.6 | 6.8 |
| 10017251-19224LF | 19 | 5.4 | 4.8 | 8.0 |
| 10017251-23224LF | 23 | 6.6 | 6.0 | 9.2 |
| 10017251-25224LF | 25 | 7.2 | 6.6 | 9.8 |
| 10017251-27224LF | 27 | 7.8 | 7.2 | 10.4 |
| 10017251-31224LF | 31 | 9.0 | 8.4 | 11.6 |
| 10017251-39224LF | 39 | 11.4 | 10.8 | 14.0 |
| 10017251-41224LF | 41 | 12.0 | 11.4 | 14.6 |
| 10017251-45224LF | 45 | 13.2 | 12.6 | 15.8 |

NOTE.

- FPCの補強板接着には、熱硬化接着剤を使用し、接着方式は熱圧着とする。
Adhesive method of supporting tape shall be heat crimping method and thermosetting adhesive material shall be used.
- 本製品は、GS-22-008に記載されたヨーロッパ連合指令と他国の規制に適合しています。
This product meets European Union Directives and other country regulations as described in GS-22-008.
- メッキ仕様 Finish

| | SURFACE TREATMENT |
|------------------|------------------------|
| 10017251-__224LF | GOLD OVER NICKEL PLATE |



| | | | | | | | | | | | |
|-------------|-------------|--------------------|-----|----------------------------|---------------------------------------|---------------------------|--|------------------------------------|--|-------------------------------|--|
| mat'l. code | | surface ISO 1302 ✓ | | tolerance ISO 406 ISO 1101 | | projection | | product family 58FF FLEX 0.3 | | CODE JP | |
| lir | description | ecn no | dr | date | tolerances unless otherwise specified | | | title | | sheet 2 of 2 | |
| F | REVISED | J05-0345 | M.Y | 10/Jun/05 | ± 0.3 | | | 0.3mm PITCH CONNECTOR (UPPER TYPE) | | size A3 | |
| G | REVISED | J06-0345 | M.Y | 23/Oct/06 | angles linear | | | scale | | dwg no 10017251 | |
| H | REVISED | J06-0509 | M.Y | 1/Dec/06 | ± 1° | | | FCJ | | type Product Customer Drawing | |
| sheet index | | revision sheet | | dr M.YAMASHITA 1/Dec/06 | | enrg M.YAMASHITA 1/Dec/06 | | chr S. Takahashi 12/1/06 | | appd S. Takahashi 12/1/06 | |
| | | | | | | | | | | Rev. H | |